

## Features

- Universal input 90~264V AC
- Approved to UKCA, CE, cULus, RCM (C-Tick) RoHS & REACH
- IEC/EN 62368-1 Safety Approved
- Meets Efficiency Level VI
- FCC Class B Certified
- Single Output 5~24V DC
- OVP, OCP, OTP, SCP



Ideal Power's 25HK-AJ-xAz-CP-xA 24W AC/DC External Interchangeable Power Supply (PSU) Series are certified to UKCA, CE, cULus, RCM (C-Tick) RoHS & REACH & EN/IEC 62368-1 Standards and comply with (EU) 2019/1782, Level VI Efficiency Regulations. These are primarily used in ITE, Audio & Video Industries and customised solutions are available upon request.

### Models

Model Number	Output Voltage (V DC)	Output Current (A)	Output Power (W)
25HK-AJ-050A300-CP-3A	5	3	15
25HK-AJ-060A300-CP-3A	6	3	18
25HK-AJ-075A300-CP-3A	7.5	3	22.5
25HK-AJ-090A266-CP-3A	9	2.66	23.9
25HK-AJ-090A266-CP-SA	9	2.66	23.9
25HK-AJ-150A163-CP-3A	15	1.63	24.5
25HK-AJ-150A163-CP-SA	15	1.63	24.5
25HK-AJ-240A100-CP-3A	24	1	24

### Input Data

	Min	Typical	Max	Units	Notes
Input Voltage	100	--	240	V AC	+/- 10%
Input Frequency	47	--	63	Hz	50-60Hz +/- 5%
Inrush Current	--	--	50	A	At cold start, 100 / 240V AC
Leakage Current	--	--	0.25	mA	

**Output Data**

	Min	Typical	Max	Units	Notes
Ripple & Noise	150	--	300	mV	@20MHz bandwidth with 10UF/50V capacitance and 104/50V ceramic capacitor. Depending on model
Temperature coefficient	--	--	±0.05	%/°C	
Line Regulation	--	--	±2	%	
Dielectric Strength	--	--	--		Primary to Secondary: AC 3000Vrms, 4 mA, 2 second for production test.
Input Protection	--	--	--		The switching power supply has a 10-ohm fusing resistor current protect itself.
Over Current Protection	--	--	--		Overload conditions shall decrease the output voltage.
Short Circuit Protection	--	--	--		Auto Recovery
Over Voltage Protection	--	--	--		Will recover if fault condition is removed
Efficiency	≥75%	--	≥90%		@ average of 25/50/75/100% loads 115V&230VAC input* Depending on model.
Hold up Time	--	--	--		10ms Min at 110VAC full load.
Turn on Time	--	--	--		2S Max at 110VAC full load.

**Note:** \*Test condition will be tested after full load operating for 30min then measure it.

**Environmental Data**

	Min	Typical	Max	Units	Notes
Operating Temperature	0	--	40	°C	
Storage Temperature	-20	--	+70	°C	
Operating Humidity	10	--	95	%	Operating 10% to 95%
Storage Humidity	10	--	95	%	Storage 5% to 95%

**Other Information**

	Min	Typical	Max	Units	Notes
Isolation	--	--	--	--	AC 3000Vrms, 4mA, 1 Minute for type test.
MTBF	--	50,000	--	hrs	At 2.
Weight					200 +/-10g
Dimensions					Refer to mechanical drawings

**EMC Emissions (2014/30/EU)**

	Standard	Test Level	Criteria	Notes
Conducted	EN 55022	Pass	B	EMC Directive 2014/30/EU
Radiated	EN 55024	Pass	B	
Harmonic Standard	EN 61000-3-2			
Voltage fluctuation	EN 6100-3-3	Pass		Voltage fluctuations & Flicker

**EMC Immunity (2014/30/EU)**

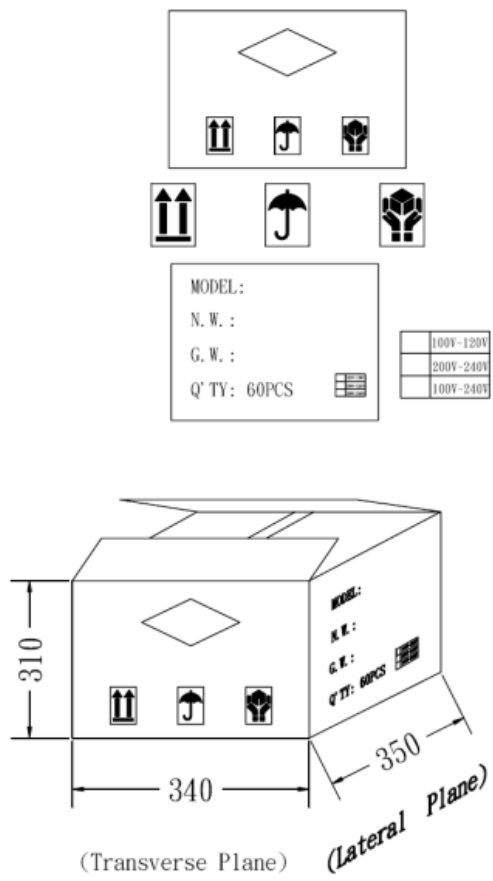
	Standard	Test Level	Notes
ESD	IEC 61000-4-2	Pass	Contact: +/- 4KV; Air: +/- 8KV
RS	IEC 61000-4-3		Frequency: 80-1000MHz.
EFT	IEC 61000-4-4		0.5/1.0KV on input AC power ports
Surge	IEC 61000-4-5		Line to Line: +/- 1KV (peak);
Conducted	IEC 61000-4-6		CS: 0.15~ 80MHz, 3V <sub>rm</sub> , 80% AM, 1kHz
PFMF	IEC 61000-4-8		50 Hz or 60Hz, 1A/m
Dips and Interruptions	IEC 61000-4-11		V/D: >95% reduction for 0.5 period

**Safety Approvals**

	Safety Standards
RoHS/REACH	RoHS Directive (EU) 2015/863 & REACH (205 SVHC)
UKCA & CE Directive 2014/35/EU	Yes (UK/European)
cULus & FCC	Yes –(US)
RCM	Yes – (Australia)

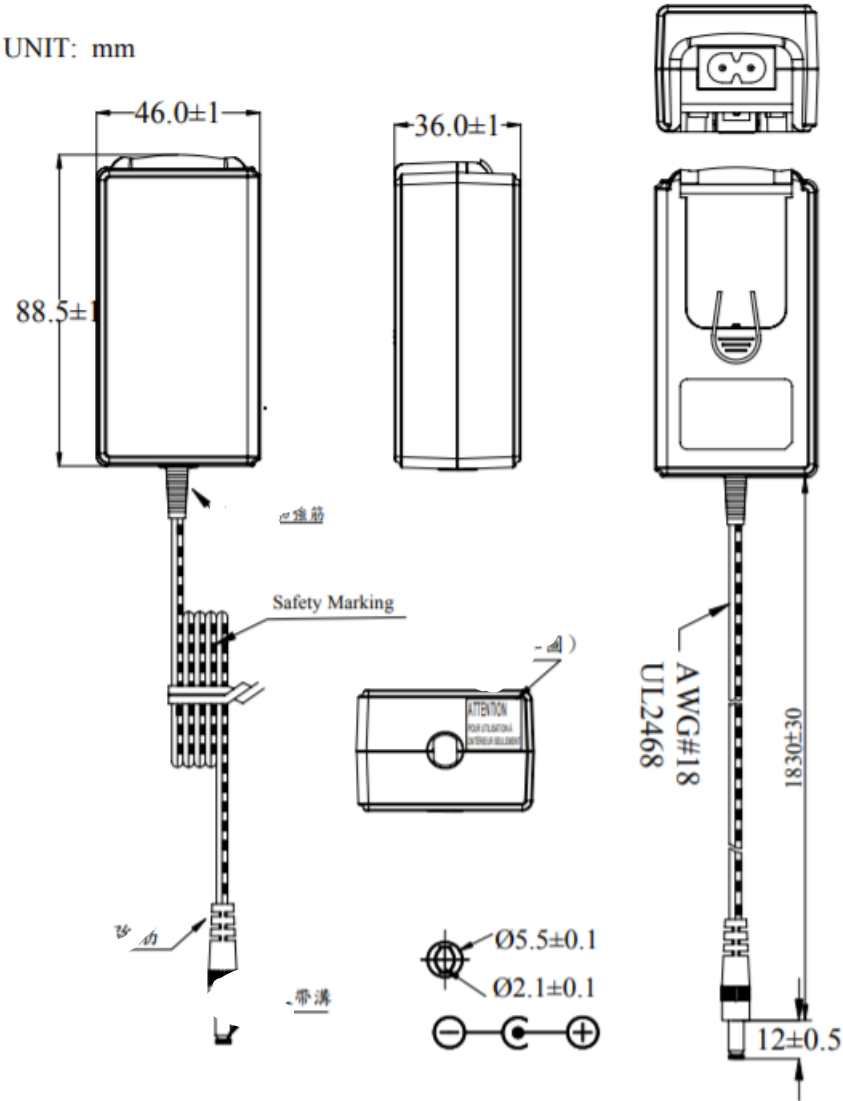
**Packaging**

Carton Unit: mm



Overall Drawing

UNIT: mm



AC - DC



I.T.E POWER SUPPLY

IDEAL POWER

MODEL : HK-AJ

INPUT : 100-240V ~ 50/60Hz 0.8A

OUTPUT : 15V = 1.63A

60YTM E202402



CAUTION • RISK OF ELECTRIC SHOCK  
DRY LOCATION USE ONLY



MADE IN CHINA

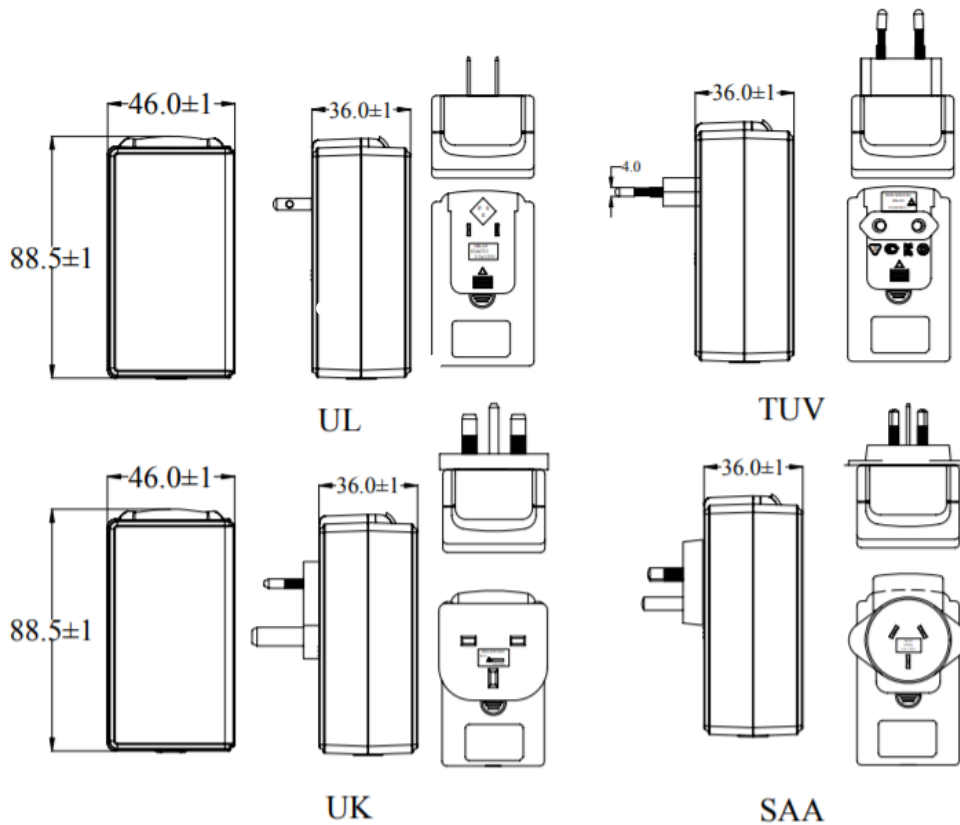
MMYYC

Ideal Power Limited

14 Larks Way, Tree Beech Enterprise Park, Gunn, Barnstaple, Devon, England, EX32 7NZ.

www.idealpower.co.uk | +44 (0) 845 260 3400

Drawing Continued



Use Specification

